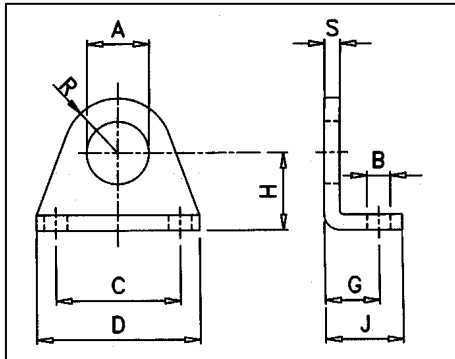


# Cylinder mounting - Foot mounting

## Type 1003 Foot Mounting



### Dimensions (mm)

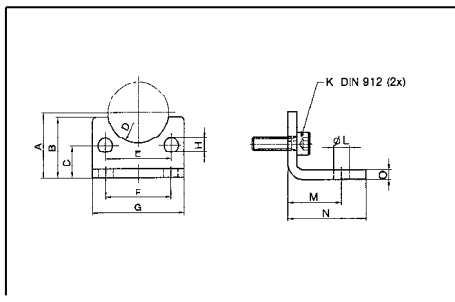
Piston Ø	A	B	C	D	G	H	J	R	S
12/16	16	5.5	32	40	14	20	20	13.4	4
20/25	22	6.6	40	54	17	25	25	18	5

### Foot mounting ordering chart

Piston Ø	Order no. (Steel)	Order no. (Stainless steel)
12/16	P1000212	P1000214
20/25	P1000213	P1000215

Consists of 1 angle and 2 mounting screws

## Type 1009 Foot Mounting, only for cylinder according to ISO 15552



### Dimensions (mm)

Piston Ø	A	B	C	D	E	F	G	H/L	M	N	O
32	32	30	15.75	15	32.5	32	45	7	24	35	4
40	36	30	17	17.5	38	36	52	7	28	36	4
50	45	36	21.75	20	46.5	45	65	9	32	47	5

### Foot mounting ordering chart

Piston Ø	Order no. (Steel)	Order no. (Stainless steel)
32	P1000688	P1000691
40	P1000689	P1000692
50	P1000690	P1000693