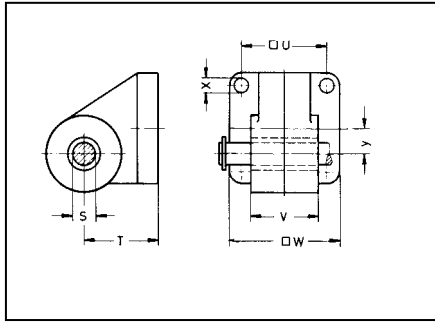


# Cylinder Fastening -Bracket

## Type 1006 Bracket, only for plastic cylinder type 1102



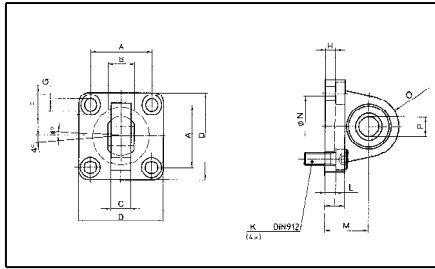
### Dimensions (mm)

Piston Ø	S H11	T±0.2	U±0.15	V±0.1	W	X H13	Y
32	10	30	36	25.8	46	5.5	11
40	12	36	44	27.8	56	6.6	14
50	12	45	50	31.8	66	9	18

### Bracket ordering chart

Piston Ø	Order no. (Black anodized aluminum)
32	P1000235
40	P1000236
50	P1000237

## Type 1007 Spherical Bracket, only for cylinder based on ISO 15552



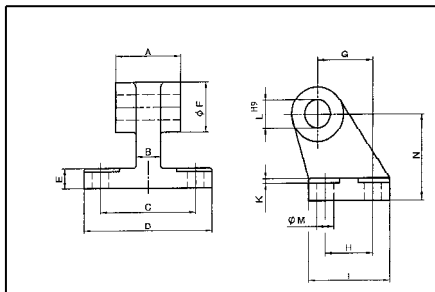
### Dimensions (mm)

Piston Ø	A	B	C	D	I	K	H	N	M	O	P
32	32.5	14	10.5	45	10	M6x16	5	30	22	15	10
40	38.0	16	12	55	10	M6x16	5	35	25	18	12
50	46.5	21	15	65	10	M8x20	5	40	27	20	16

### Spherical bracket ordering chart

Piston Ø	Order no. (burnished steel)	Order no. (anodized aluminum)
32	P1000700	P1000703
40	P1000701	P1000704
50	P1000702	P1000705

## Type 1011 Bracket, only for cylinder based on ISO 15552



### Dimensions (mm)

Piston Ø	A	B	C	D	E	F	G	H	I	K	L	M	N
32	26	10	38	51	8	20	21	18	31	1.6	10	6.6	32
40	28	15	41	54	10	22	24	22	35	1.6	12	6.6	36
50	32	16	50	65	12	26	33	30	45	1.6	12	9	45

### Bracket ordering chart

Piston Ø	Order no. (Anodized aluminum)
32	P1000697
40	P1000698
50	P1000699